



# SERIES AZ 30, 35 & 36

## 1/4 INCH DIAPHRAGM VALVE

Springless – manual and pneumatic (NC & NO)

- Replaceable seat
- 316L SS construction
- Operating pressures from 125 psig (9 bar) to 3,000 psig (207 bar)
- 10 µin. (0.25 µm) Ra avg. standard surface finish
- LOTO options
- Flow capacity 0.23 to 0.29 C<sub>v</sub>
- Constant bleed option 5, 8 and 15 slpm of N<sub>2</sub> @ 80 psig (5.5 bar) refer to PN 430
- Forged body construction for integral fittings and tube stub (P porting)
- Bar stock body for welded fitting and multi-port options (PW porting)
- Multi-port options available (refer to page 4)
- Two step pneumatic valve option: dual operation – metered or full open
- Installation and operating instructions available at [www.aptech-online.com](http://www.aptech-online.com) in the Tech Briefs section

### Manual valves

	PSIG / BAR	
	250 / 17	3,000 / 207
<b>AZ 3600</b> – Round knob, multi-turn		●
<b>AZ 3625</b> – Lever valve, 1/4 turn – LOTO, PL 225 optional – Lever position indicates valve status		●
<b>AZ 3650</b> – Round knob, 1/4 turn – Open/closed status indication window – Switch option for remote monitoring		●
<b>AZ 3652</b> – Round knob, 1/4 turn – Open/closed status indication window – Unique design combines scalloped round knob with raised rectangular section	●	
<b>AZ 3657</b> – Round knob, 1/4 turn – Pull, then turn to open – operational safety feature – Open/closed status indication window – LOTO – integral standard feature		●

### Pneumatic valves, normally closed (NC)

	PSIG / BAR			
	125 / 9	145 / 10	300 / 21	3,000 / 207
<b>AZ 3000 and 3002</b> – Switch option for remote monitoring				●
<b>AZ 3540</b>		●		
<b>AZ 3540VS</b>	●			
<b>AZ 3542</b>	●			
<b>AZ 3550</b> – Switch option for remote monitoring			●	
<b>AZ 3571</b> – Dual mode – metered or full open	●			

### Pneumatic valve, normally open (NO)

	PSIG / BAR	
	250 / 17	3,000 / 207
<b>AZ 3080</b> – Switch option for remote monitoring		●
<b>AZ 3580</b> – Switch option for remote monitoring	●	

All specifications subject to change without notice.

# HIGH PURITY ~ HIGH VALUE

## Engineering Data — Manual valves

Operating pressure	AZ 3652 AZ 3600, 3625, 3650, 3657	Vacuum to 250 psig (17 bar) Vacuum to 3,000 psig (207 bar)
Flow coefficient (C <sub>v</sub> )	AZ 3600, 3625, 3650, 3652 AZ 3657	0.29 (X <sub>T</sub> = 0.6)

## Engineering Data — Pneumatic valves

Operating pressure	AZ 3540VS, 3542, 3571 AZ 3540 AZ 3580 AZ 3550 AZ 3000, 3002, 3080	Vacuum to 125 psig (9 bar) Vacuum to 145 psig (10 bar) Vacuum to 250 psig (17 bar) Vacuum to 300 psig (21 bar) Vacuum to 3,000 psig (207 bar)
Flow coefficient (C <sub>v</sub> )	AZ 3000, 3080 AZ 3002 AZ 3540, 3542, 3550, 3571, AZ 3580	0.23 (X <sub>T</sub> = 0.5) 0.28 (X <sub>T</sub> = 0.5) 0.29 (X <sub>T</sub> = 0.6)
Status	AZ 3000, 3002, 3540, 3542 AZ 3550, 3571 AZ 3080, 3580	Normally closed (NC) Normally closed (NC) Normally open (NO)
Actuation pressure	AZ 3000, 3002, 3540, 3550 AZ 3080, 3571, 3580 AZ 3542	70 to 110 psig (5 to 8 bar) 70 to 110 psig (5 to 8 bar) 60 to 110 psig (4 to 8 bar)
Actuation port	AZ 3000, 3002, 3080, 3540, AZ 3580 AZ 3542 AZ 3550, 3571	1/8 NPT, top port  M5 top port M5 side port

## Engineering Data — Other parameters all valves

Inlet and outlet connectors	1/4 and 3/8 inch face seal or tube weld
Internal volume	0.06 in <sup>3</sup> (1.07 cm <sup>3</sup> )
Operating temperature	-40° to +160° F (-40° to 71° C)
Surface finish	10 μin Ra
Proof pressure	150% of maximum rating
Burst pressure	300% of maximum rating
Inboard leakage	2 x 10 <sup>-10</sup> sccs
Outboard leakage	2 x 10 <sup>-9</sup> sccs He
Leakage across seat	1 x 10 <sup>-9</sup> sccs He

## Engineering Data — Wetted materials all valves

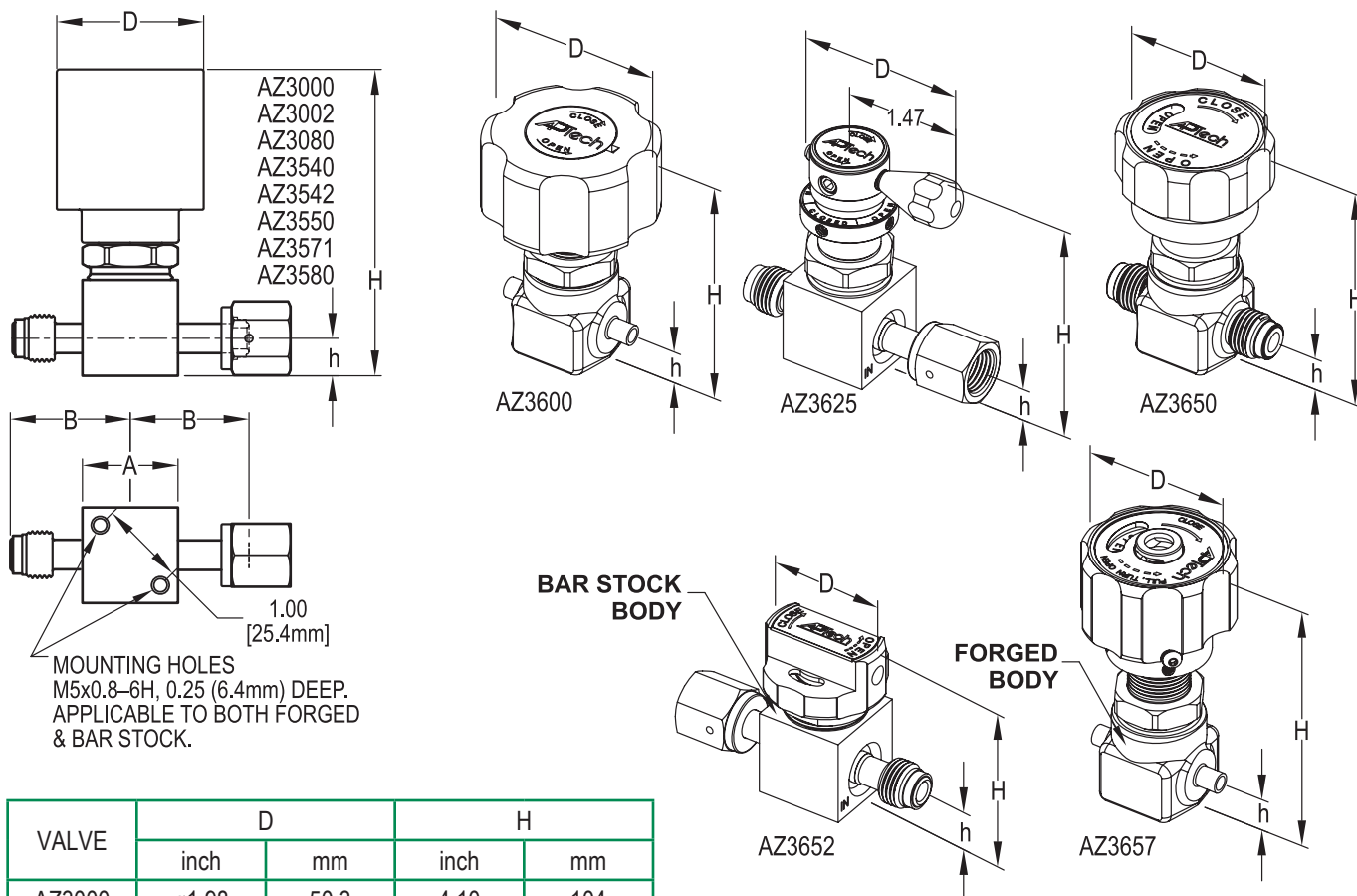
Body	SS 316L*
Finish	Electropolished and passivated
Diaphragm	Ni-Co alloy / UNS R30003
Seat	PCTFE (Polyimide optional)

## AZ 3571 — Metered flow range tolerance at 80 psig N<sub>2</sub> inlet, 0 psig outlet

10 to 20 slpm	+/- 6 slpm
21 to 50 slpm	+/- 10 slpm
51 to 100 slpm	+/- 15 slpm
101 to 200 slpm	+/- 20 slpm
201 to 350 slpm (AZ 3571 only)	+/- 25 slpm

\*Sulfur content varies from forged to bar stock body.  
Refer to product note PN414 for use of single melt SS.

All specifications subject to change without notice.



VALVE	D		H	
	inch	mm	inch	mm
AZ3000	ø1.98	50.3	4.10	104
AZ3002	ø1.98	50.3	4.10	104
AZ3080	ø1.98	50.3	4.89	124
AZ3540	ø1.46	37.1	3.49	89
AZ3542	ø1.57	40.0	2.24	57
AZ3550	ø1.37	34.8	3.28	83
AZ3571	ø1.72	43.7	~3.63	92
AZ3580	ø1.46	37.1	3.17	81
AZ3600	ø2.12	53.8	3.00	76
AZ3625	2.04	51.8	2.94	75
AZ3650	ø1.87	47.5	3.02	77
AZ3652	ø1.50	38.0	2.17	55
AZ3657	ø1.87	47.5	3.60	91

- Forged body only available in 2P porting with same type fittings inlet and outlet.
- Bar stock body, PW porting, has welded fittings in any combination of available type and size.
- P porting denotes forged body or bar stock body with integrally machined fittings. PW porting denotes welded fittings.
- Height of the valve (H) is an approximate value.

BODY TYPE	PORTNG	CONNECTION	A		B		h	
			inch	mm	inch	mm	inch	mm
FORGED	P	MV4xMV4 (Fixed)	N/A	N/A	1.140	29.0	0.44	11.2
	P	TW4xTW4	N/A	N/A	0.875	22.2	0.44	11.2
BAR STOCK	PW	TW4	1.12 SQ	28.4	1.060	26.9	0.44	11.2
	PW	FV4, MV4 (Fixed)	1.12 SQ	28.4	1.390	35.3	0.44	11.2
	PW	FV6, MV6	1.12 SQ	28.4	1.930	49.0	0.44	11.2
	PW	TW6	1.12 SQ	28.4	1.325	33.7	0.44	11.2

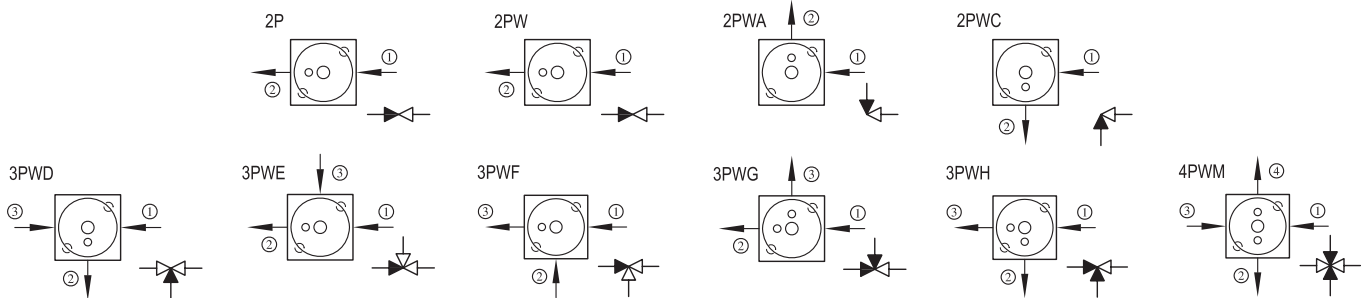
All dimensions in inches (mm). Metric dimensions are for reference only.  
All specifications subject to change without notice.

# ULTRACLEAN TECHNOLOGY BACKED BY SERVICE AND SUPPORT

## Porting Options Available



Top View (Mounting holes on bottom)



- Valves are illustrated top view looking down through the valve. Mounting holes on the valve bottom are shown for reference.
- INLET (Upstream) is defined as a port connected to the region below the valve seat. It is illustrated with an arrow pointing towards the valve body or an “empty” triangle on the schematic. OUTLET (Downstream) is defined as a port connected to the region above the seat and below the diaphragm. It is illustrated with an arrow pointing away from the valve body or a “filled” triangle on the schematic.
- The traditional flow direction is INLET to OUTLET, but AP Tech valves may be employed in either flow direction.
- End connections are specified in numerical order per the diagram’s numbered arrows.
- Multi-port is available only with bar stock (PW) body.

**CAUTION:** Product selection is the sole responsibility of the user, regardless of any recommendations or suggestions made by the factory. The user shall make selections based upon their own analysis and testing with regard to function, material compatibility and product ratings. Proper installation, operation and maintenance are also required to assure safe, trouble free performance.

PORTING CONFIGURATIONS

ORDERING INFORMATION

Sample Order Number		AZ 3652S 2P MV4 MV4	
AZ 3652	Series	AZ 3000, 3002, 3080 AZ 3540, 3542, 3550 AZ 3571, 3580 AZ 3600, 3625 AZ 3650, 3652, 3657	
S	Material	S = Stainless steel (SS)	
2P	Ports	2P = 2 ports 2PW = 2 ports welded 3PW = 3 ports welded 4PW = 4 ports welded	
	Porting Designation Option	X = Letter code for available porting option Refer to porting options above.	
			<p><b>MV4 MV4   Connections</b></p> <p>Inlet / Outlet or ① ② ③ ④</p> <p> <span style="color: green;">●</span> ○  <span style="color: green;">●</span> ○  <span style="color: green;">●</span> ○  <span style="color: green;">●</span> ○  <span style="color: green;">●</span> ○  <span style="color: green;">●</span> ○                 </p> <p>                     FV4 = 1/4 inch face seal female                      MV4 = 1/4 inch face seal male*                      TW4 = 1/4 inch tube stub weld                      FV6 = 3/8 inch face seal female                      MV6 = 3/8 inch face seal male                      TW6 = 3/8 inch tube stub weld                 </p> <p>Refer to chart on page 3 for available connections. *MV4 is fixed, no hex nut.</p> <p> <span style="color: green;">●</span> Only available with the same type fitting inlet and outlet.  <span style="color: green;">○</span> Available with any combination of welded fitting.                 </p>
			<p><b>Options</b></p> <p>1.75 = 1.75" face to face TW4 PW porting (1.75 is standard for 2P)</p> <p>VS = Polyimide Seat</p> <p>P = Panel mount, manual valves** (except 3652)</p> <p>ISC = Indicating switch, NC** (AZ 3550 and 3580 only)</p> <p>ISO = Indicating switch, NO** (AZ 3550 and 3580 only)</p> <p>IS = Indicating switch** (AZ 3000, 3002 and 3080 only)</p> <p>ISH = Indicating switch** (AZ 3650 only)</p> <p>MXXx† = 3571 metered adjustment</p>
AP Tech has product options and variations which are not documented in data sheets. If you have a model number that is not defined by the ordering information, please consult the factory or your local representative.		<p>**Refer to manual for installation information.</p> <p>†NOTE: Replace XXX with flow rate using 3 digits, example 50 slpm = M050</p>	